



TTSIM-1A

TraceTek® Sensor Interface Module with Relay

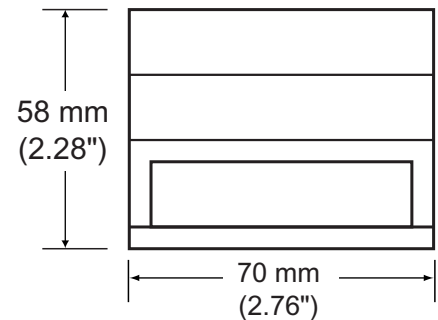
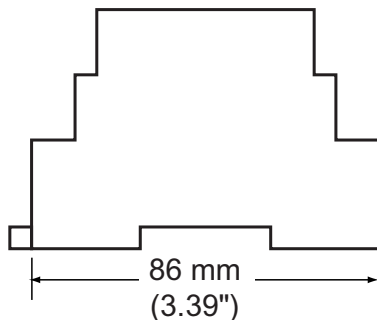
Easy setup and simple operation

The TTSIM-1A Sensor Interface Module monitors up to 150 meters (500 feet) of TraceTek sensing cable. When liquid is detected, the TTSIM-1A unit indicates the leak with an LED, and switches a relay to provide local voltage-free contact closure. The TTSIM-1A can also communicate to a host monitoring system such as a TraceTek TTDM-128 or directly to a PLC or other host system using standard protocols. The low cost of the TTSIM-1A makes it economical to build very robust systems with many small independent sensing cable segments. No field calibration is required.

The TTSIM-1A can be used as a stand-alone leak detection alarm unit, or in networks with other TraceTek TTSIM, TT-NRM or TTDM-128 modules. The TTSIM-1A can be configured using a Palm™ OS or Pocket PC™ handheld PDA, a Microsoft Windows™ based PC, or a TraceTek TTDM-128 network master module.

Design Features

- Voltage-free contacts for alarm signaling.
- LED's to indicate power, leak, cable trouble, and communication status.
- Responsive to a variety of communication protocols. Protocol selection is automatic.
- Simple twisted pair serial RS-485 communications up to 1200 meters (4000 feet) without amplification.
- Available for 24, 120 or 230 Vac 50/60 Hz power supply.
- Each TTSIM-1A unit has a unique address assigned with software – no switches.
- Relay software selectable for normally energized or normally de-energized operation
- DIN rail mounted for easy installation.
- Enclosures available for stand-alone indoor or harsh outdoor installations.



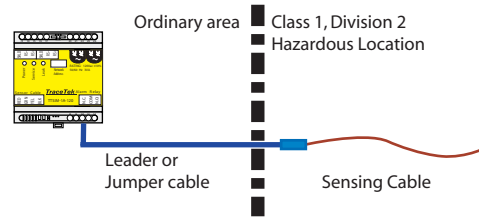
General features		
Sensor compatibility		All TraceTek sensor cables and point sensors or contact closure devices
Maximum length of sensing cable		150 m (500 ft)
Precision		0.5% of sensor length ± 0.6 m (2 ft)
Environmental ratings		
Storage temperature		-18°C to 60°C (0°F to 140°F)
Operating temperature		0°C to 50°C (32°F to 122°F)
Humidity		5% to 95% non-condensing
Power requirements		
TTSIM-1A		22 to 26 Vac, 50/60 Hz, 3 W (SELV level for Europe)
TTSIM-1A-120		92 to 132 Vac, 50/60 Hz, 3 W
TTSIM-1A-230		216 to 253 Vac, 50/60 Hz, 3 W
Ordering information		
Catalog Number		Description
TTSIM-1A		24 Vac TTSIM-1A
TTSIM-1A-120		120 Vac TTSIM-1A
TTSIM-1A-230		230 Vac TTSIM-1A

TTSIM-1A Sensor Interface Module

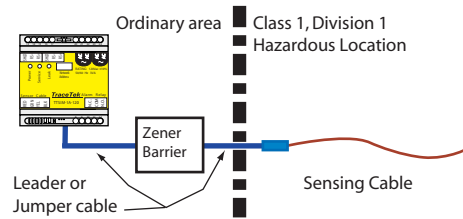
Serial interface	Network configuration	RS-485 two wire network, 9600 baud, addressable from 1 to 127
	Communication protocol	MODBUS™, OptoMux™ or Johnson Controls Metasys™
Relay contacts	Type	Form C (SPDT)
	Action	Software selectable; normally energized or normally de-energized; alarm on leak or alarm on leak and sensor fault
	Rating	2 Amps maximum, 250 Vac or 30 Vdc

Approvals

The TTSIM-1A unit is approved for use in ordinary areas. The module must be located in an ordinary area, but may monitor intrinsically safe TraceTek sensors located in hazardous locations, as shown below.



TraceTek sensors in Class I, Division 2, Groups A, B, C, D Hazardous Locations (Zone 2 in Europe).



If protected by an agency approved zener barrier, TraceTek sensors in Class I, Division 1, Groups A, B, C, D Hazardous Locations (Zones 0 and 1 in Europe). Contact Tyco Thermal Controls to select proper zener barrier.

Tyco Thermal Controls
 Worldwide Headquarters
 300 Constitution Drive
 Menlo Park, CA 94025-1164
 USA

Tel: (800) 545-6258 (within US)
 (650) 216-1526
 Fax: (800) 527-5703 (within US)
 (650) 474-7517
 E-mail: info@tracetek.com
 www.tracetek.com

Important: All information, including illustrations, is believed to be reliable. Users, however, should independently evaluate the suitability of each product for their particular application. Tyco Thermal Controls makes no warranty as to the accuracy or completeness of the information, and disclaims any liability regarding its use. Tyco Thermal Controls' only obligations are those in the Tyco Thermal Controls Standard Terms and Conditions of Sale for this product, and in no case will Tyco Thermal Controls or its distributors be liable for any incidental, indirect, or consequential damages arising from the sale, resale, use or misuse of the product. Specifications are subject to change without notice. In addition, Tyco Thermal Controls reserves the right to make changes – without notification to Buyer – to processing or materials that do not affect compliance with any applicable specification.

Tyco, TraceTek and the TraceTek logo are trademarks of Tyco Thermal Controls LLC or its affiliates. MODUS is a trademark of Gould, Inc. OptoMux is a trademark of Opto-22. Metasys is a trademark of Johnson Controls. Windows and Pocket PC are trademarks of Microsoft Corporation. Palm is a trademark of Palm, Inc.