

Eaton Enclosures



Eaton Enclosure offers a rugged, durable platform with exceptional value for network, server and telecommunication applications.

Eaton Enclosure is vendor neutral and guaranteed to accommodate all TIA/EIA 310-D equipment, making it ideal for small to medium data centres.

Features:

- Lightweight but sturdy bolted design provides a generous static and dynamic weight capacity
- Exceeds major IT equipment air flow requirements
- Depth adjustable 19" vertical mounting rails in 6.35mm increments
- "U" numbers printed on rails
- Quick release and field reversible doors
- 42U cabinet with castors fits through standard doorway
- Two piece lockable side panels provide easy access to interior

Standards & Materials:

- Standard: EIA-310D, IEC-60297-2
- Material: high-grade cold and hot rolled steel/all materials RoHS compliant
- Finishing: 5 stage iron phosphate pre-treatment followed by tough scratch resistant powder coat paint
- Colour: Black, low gloss textured



Powering Business Worldwide

Data Centre Racks

Standard Models

Description	Rack Units	Width	Depth	Height	Part Number
42U, 600W, 1000D, Assembled, with castors	42	600	1063	1980*	ER61042-CAS
42U, 800W, 1000D, Assembled, with castors	42	800	1090	1994*	ER81042-CAS

*Height including castors on assembled units

Features & Specifications

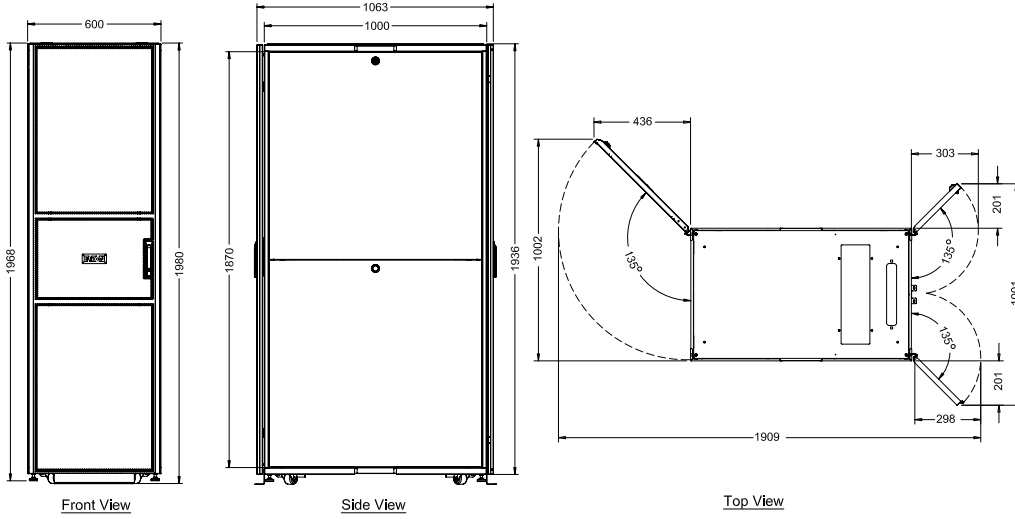
Features	ER61042-CAS	ER81042-CAS
Vendor neutral, compatible with all 19" standard IT equipment.	•	•
Depth adjustable 19" vertical mounting rails	•	•
"U" numbers printed on rails	•	•
Quick release and field reversible doors	•	•
Split rear "barn style" doors	•	•
Two piece locking side panels	•	•
Leveling feet included	•	•
Anti-tip/bolt down brackets (front & rear)	•	•
ePDU/accessory mounting rails x 2	•	•
Specifications	ER61042-CAS	ER81042-CAS
Static load rating: 1,200 kg	•	
Static load rating: 1,000 kg		•
71% airflow perforated doors	•	•

Accessories

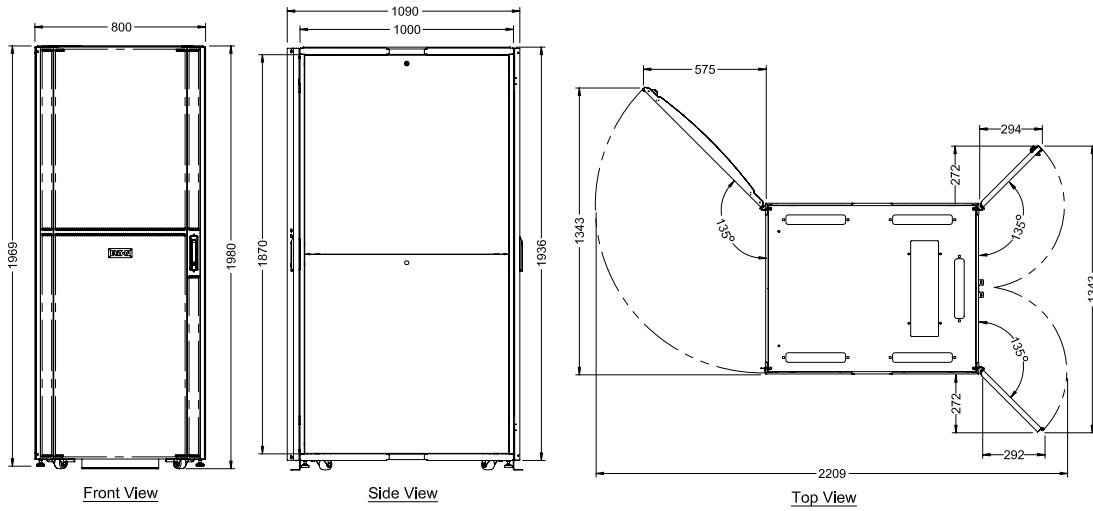
Accessories	Dimensions	Part Number
Tool-Free Plastic Blanking Panel, 1U, Qty 10	1U x 600 x 5	PBP1U10
Tool-Free Plastic Blanking Panel, 2U, Qty 10	2U x 600 x 5	PBP2U10
Tool-Free Plastic Blanking Panel, 8U, Qty 10	8U x 600 x 5	PBP8U10
2U Cable Management Panel	2U x 600 x 100	ERA001
1U Cable Management Panel	1U x 600 x 100	ERA002
Castor Kit	NA	ERA003
Document Wallet	250 x 250	ERA004
Hardware Bag (50 x M6 Screws, 50 x Cage Nuts, 50 x Plastic Washers)	NA	ERA005
Light Equipment Shelf	2U x 600 x 330	ERA006
Vented Fixed Shelf	1U x 600 x 700	ERA007
Enclosure Anti-tip/bolt down brackets	NA	ERA009
Enclosure baying kit	NA	ERA010
Heavy-Duty Telescopic Shelf	1U x 600 x 700	ERA011

Data Centre Racks

42RU x 600mm Dimensions



42RU x 800mm Dimensions



Eaton is dedicated to ensuring that reliable, efficient and safe power is available when it's needed most. With unparalleled knowledge of electrical power management across industries, experts at Eaton deliver customised, integrated solutions to solve our customers' most critical challenges. Our focus is on delivering the right solution for the application. But, decision makers demand more than just innovative products. They turn to Eaton for an unwavering commitment to personal support that makes customer success a top priority.



For more information, visit www.eaton.com/UPS

SINGAPORE

4 Loyang Lane #04-01/02
Singapore 508914

T +65 6825 1684
E EatonSEA@eaton.com

MALAYSIA

E-1-8, Jalan SS 6/20A, Dataran Glomac
Pusat Bandar Kelana Jaya
47301 Kelana Jaya, Petaling Jaya
Selangor darul Ehsan, Malaysia

T + 603 7804 3618
E EatonSEA@eaton.com

INDONESIA

Menara Bidakara 2, 12th Floor
Jl. Jend. Gatot Subroto Kav.71-73
Pancoran, Jakarta 12870 Indonesia

T + 62 21 29499 000
E EatonSEA@eaton.com

HONG KONG

Room 04, 16/F, Kodak House II
38-39 Healthy Street East, North Point
Hongkong, China

T + 852 2830 3077
E EE-Marketing-HK@eaton.com

VIETNAM

HANOI
6th Floor, Geleximco Tower
36 Hoang Cau Street, O Cho Dua Ward
Dong Da District
Hanoi, Vietnam

T + 84 4 393 65 303
E EatonSEA@eaton.com

HCMC

Room 1611, 16th Floor 06
Le Thanh Ton Street
Ben Nghe Ward, District 1
HCM City, Vietnam

T + 84 86255 6737
E EatonSEA@eaton.com

KOREA

8F. Vision Tower,
312 Teheran-ro, Gangnam Gu,
Seoul, Korea 131-918

T + 82 2 6238 7949
E EatonKoreaES@eaton.com

PHILLIPINES

29/F Ayala Life FGU Center
6811 Ayala Ave
Makati City
Manila 1200 Philippines

T + 63 (2) 812 3045
E EatonSEA@eaton.com

THAILAND

89/1 Kasemsap Building 4th Fl.,
Vibhavadi-Rangsit Road, Jompol, Chatuchak,
Bangkok 10900
Thailand

T + 66 (0) 2511 5300
E EatonSEA@eaton.com

Sales enquiries for Bangladesh, Cambodia, Myanmar and Laos, please contact our Thailand office.

Eaton is the trade name, trademark, and/
or service mark of Eaton Corporation or its
subsidiaries and affiliates.